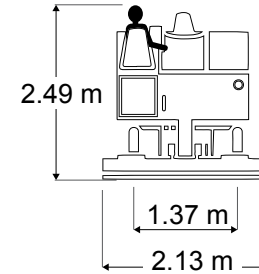
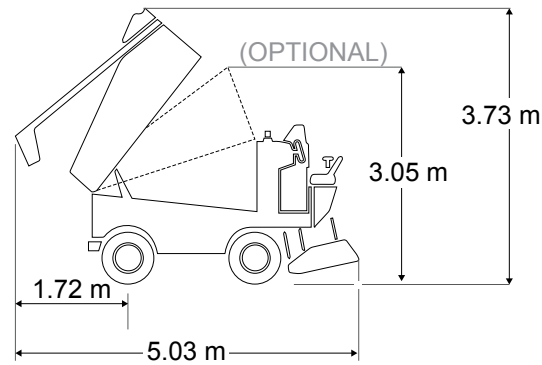
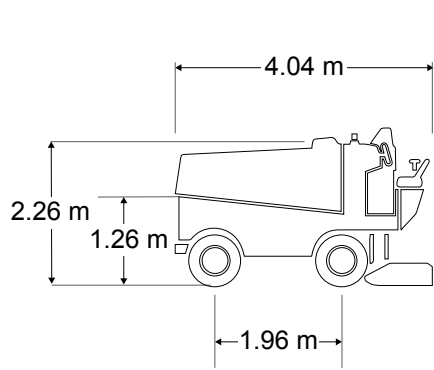


MODEL 552^{AC}

LITHIUM-ION



CAPACITIES

Snow Tank

Actual Volume	2.83 m ³	100 cu. ft.
Compacted	3.54 m ³	125 cu. ft.

Water

Ice Making	738 L	195 gal.
Wash Water	310 L	82 gal.
Total	1048 L	277 gal.

Hydraulic Oil	60.6 L	16 gal.
----------------------	--------	---------

POWERTRAIN

Four-Wheel Drive

Motors

Electric Hydraulic Pump Motor	8.2 kW	11 HP
Electric Traction Motor	17.9 kW	24 HP

Battery	83.2V, 300 Ah (25.0 kWh)	Lithium-ion (Li)
----------------	--------------------------	------------------

Axles

Front	2903 kg	6400 lb
Rear	2903 kg	6400 lb

DIMENSIONS

Overall

	L	W	H	L	W	H
Snow Tank Down	4.04 m	2.13 m	2.26 m	159 in.	84 in.	89 in.
Snow Tank Up	5.03 m	2.13 m	3.73 m	198 in.	84 in.	147 in.

Shaving Blade

	L	W	H	L	W	H
195.6 cm 77 in. Blade	195.6 cm	12.7 cm	1.27 cm	77 in.	5 in.	0.5 in.

Clearance

Minimum Operator Height Clearance	248.9 cm	98 in.
Snow Pit Clearance	125.7 cm	49.5 in.

Conveyor System

Horizontal Auger Diameter	25.4 cm	10 in.
Vertical Auger Diameter	25.4 cm	10 in.

Manueverability

Wheelbase	1.96 m	77 in.
Wheel Track	1.37 m	54 in.
Turning Radius at Conditioner	4.87 m	16 ft.

Weight

Empty with Lithium-ion battery	3311 kg	7300 lb
with Water with Lithium-ion battery	4037 kg	8900 lb



FASTICE® Ice Making System

Create superior ice with a computer controlled pump for an even and accurate fine mist water application. *optional equipment



Level-Ice® Laser Leveling System

Automated precision blade control provides consistently level ice and significant savings of energy, water and time. *optional equipment



Zamboni Connect™ System

Monitor consumption and optimize performance with predictive insight and resource management. *optional equipment



STANDARD FEATURES

- 2 Year Warranty
- 400 Micron Wash Water Deep Filter Bag
- Aluminum Alloy Wheels
- Battery: Lithium-ion
- Battery Charger: Microprocessor Controlled
- Brushless AC Motors
- Chassis: Strong All Welded Steel Tubing
- Conditioner Safety Guards
- Dependable Sevcon® Gen4 Solid State Controls
- Digital Training and Reference Materials
- Familiar Automobile-Style Foot Controls
- Four-Wheel Drive
- Guide Wheel
- Headlights and Tail Light (for Off Ice Travel)
- High Quality 9 Micron Filter
- High Speed Vertical Auger
- Hydraulic Oil Level Sight Gauge

- On-Dash Diagnostics
- Parking Brake
- Power Steering
- Premium Polyester Felt Spreader Towel
- Replaceable Poly Conditioner Side Plates
- Rugged Dana Spicer® Axles
- Rust-Free Poly Ice Making Water Tank
- Snow Tank Safety Stand
- Spare Tire and Wheel
- Stainless Steel Hardware
- Steering Wheel Spinner Knob
- Touch Up Paint Kit
- Tungsten Carbide Studded Tires
- Variable Speed Electric Hydraulic Pump Motor
- Wide Spectrum of Premium Automotive Paint Colors

OPTIONS

- Advanced Water System (AWS™)
- Automatic Snow Breaker
- Back Up Alarm
- [Blade Change System](#)
- Cab Enclosure
- Conditioner: 96" Blade
- Conditioner: Galvanized
- Electric Water Level Gauge
- [FastICE® Ice Making System](#)
- IceCaps® Wheel Advertising System
- Integrated Auger Washout System
- [Level-Ice®](#)
- Low Guide Wheel
- Seat Belt
- Snow Melting Kit
- Snow Tank Dump Height Restriction
- Snow Tank Light
- Stainless Steel Water Distribution Pipe
- Tire Wash System

- Wash Water to Ice Making Water Transfer
- Wash Water System with Poly Tank
- Water Level Sight Gauge
- Zamboni Power Brush™ Board Brush System
- [Zamboni Connect™ System](#)