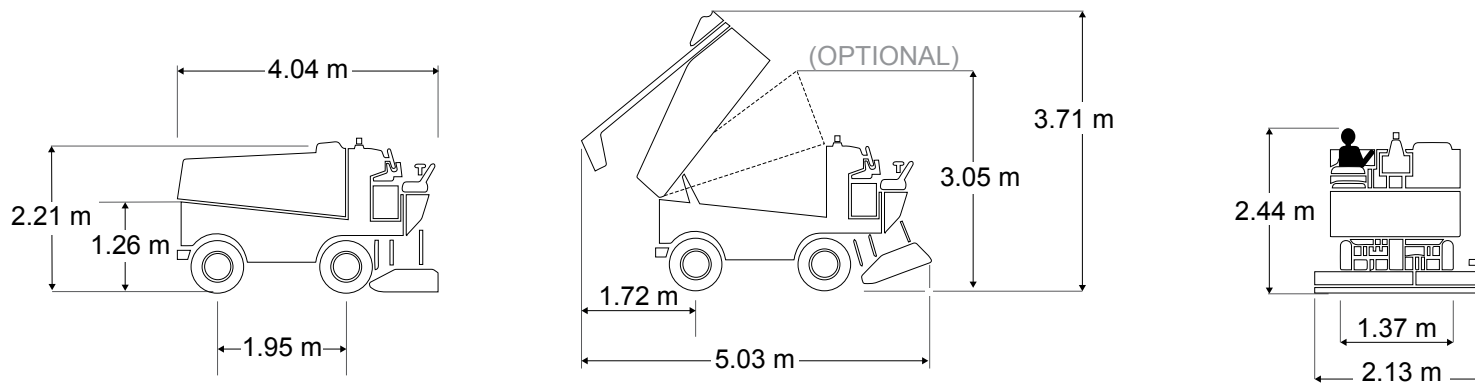


MODEL 526



CAPACITIES		
Snow Tank		
Actual Volume	2.83 m ³	100 cu. ft.
Compacted	3.54 m ³	125 cu. ft.
Excess Water	416 L	110 gal.
Water		
Ice Making	727 L	192 gal.
Wash Water	273 L	72 gal.
Total	1000 L	264 gal.
Hydraulic Oil	95 L	25 gal.
POWERTRAIN		
Four-Wheel Drive		
Engine	Mitsubishi® 2.4 L / 59 HP at 2500 RPM Four Cylinder Liquid Cooled	
Transmission	Continuously variable hydrostatic pump and motor are axial-piston type.	
Hydraulics	Double pump powers the vertical and horizontal augers. Hydraulic down pressure for optimal resurfacing results.	
Axles		
Front	1950 kg	4300 lb
Rear	2903 kg	6400 lb
Brakes	Full Hydrodynamic Braking	

DIMENSIONS						
Overall	L	W	H	L	W	H
Snow Tank Down	4.04 m	2.13 m	2.21 m	159 in.	84 in.	87 in.
Snow Tank Up	5.03 m	2.13 m	3.71 m	198 in.	84 in.	146 in.
Shaving Blade	L	W	H	L	W	H
	195.6 cm	12.7 cm	1.27 cm	77 in.	5 in.	0.5 in.
Clearance						
Minimum Operator Height Clearance			243.8 cm	96 in.		
Snow Pit Clearance			125.7 cm	49.5 in.		
Conveyor System						
Horizontal Auger Diameter			25.4 cm	10 in.		
Vertical Auger Diameter			25.4 cm	10 in.		
Manueverability						
Wheelbase			1.96 m	77 in.		
Wheel Track			1.37 m	54 in.		
Turning Radius at Conditioner			4.86 m	16 ft.		
Weight						
Empty			3143 kg	6930 lb		
with Water			4240 kg	9350 lb		



Advanced Water System — AWS™

Regulates amount of water dispensed onto the ice relative to machine speed for efficient and even application. *optional equipment



Zamboni Power Brush™

Wider brush path reaches higher on the dasher board kick plate for superior cleaning power. *optional equipment



Integrated Auger Washout System

Simplifies the vertical and horizontal auger washout task, from a single point on the conditioner. *optional equipment

**MODEL
526**

STANDARD FEATURES

2 Year Warranty
 400 Micron Wash Water Deep Filter Bag
 Aluminum Alloy Wheels
 Catalytic Converter
 Chassis: Strong All Welded Steel Tubing
 Conditioner Safety Guards
 Digital Training and Reference Materials
 Engine: CAN Bus System
 Engine: EPA and CARB Certified
 Familiar Automobile-Style Foot Controls
 Four-Wheel Drive
 Fuel: Gasoline, Propane (CNG optional)
 Full Hydrodynamic Braking
 Guide Wheel
 Headlights and Tail Light (for Off Ice Travel)
 High Quality 16 and 22 Micron Filters
 High Speed Vertical Auger
 Hydraulic Oil Level Sight Gauge
 Load Sensing Engine Governor

Multi-Function Display
 On-Dash Diagnostics
 Parking Brake
 Power Steering
 Premium Polyester Felt Spreader Towel
 Replaceable Poly Conditioner Side Plates
 Rugged Dana Spicer® Axles
 Snow Tank Safety Stand
 Spare Tire and Wheel
 Stainless Steel Hardware
 Stainless Steel Water Distribution Pipe
 Steering Wheel Spinner Knob
 Touch-Up Paint Kit
 Tungsten Carbide Studded Tires
 Under Seat Storage
 Wash Water
 Wide Spectrum of Premium Automotive Paint Colors

OPTIONS

Advanced Water System (AWS™)
 Automatic Snow Breaker
 Back Up Alarm
[Blade Change System](#)
 Cab Enclosure
 Conditioner: 96" Blade
 Conditioner: Galvanized
 Engine Diagnostic Computer Interface Tool
[FastICE® Ice Making System](#)
 Fire Extinguisher
 Front Squeegee
 Heated Ergonomic Comfort Design Seat

- Armrest
- Seatbelt

 Hydraulic Oil Cooler Kit
 IceCaps® Wheel Advertising System
 Integrated Auger Washout System
 LED Headlights
[Level-Ice™](#)

Rotating Beacon Light
 Rust-Free Poly Ice Making Water Tank
 Snow Melting Kit
 Snow Tank Dump Height Restriction
 Snow Tank Light
 Snow Tank Non-Stick Liner
 Tire Wash System
 V-Plow
 Water Level Sight Gauge
 Wash Water to Ice Making Water Transfer
[Zamboni Connect™ System](#)
 Zamboni Power Board Brush™ System

ZAMBONI®

Some features described or shown may be optional at extra cost and prices, colors, materials, specifications and models are subject to change. Some options are required in combination with other options. ZAMBONI and the configuration of the Zamboni® ice resurfacing machine are registered trademarks of Frank J. Zamboni & Co., Inc. © Zamboni 2021
 Rev 03/2021