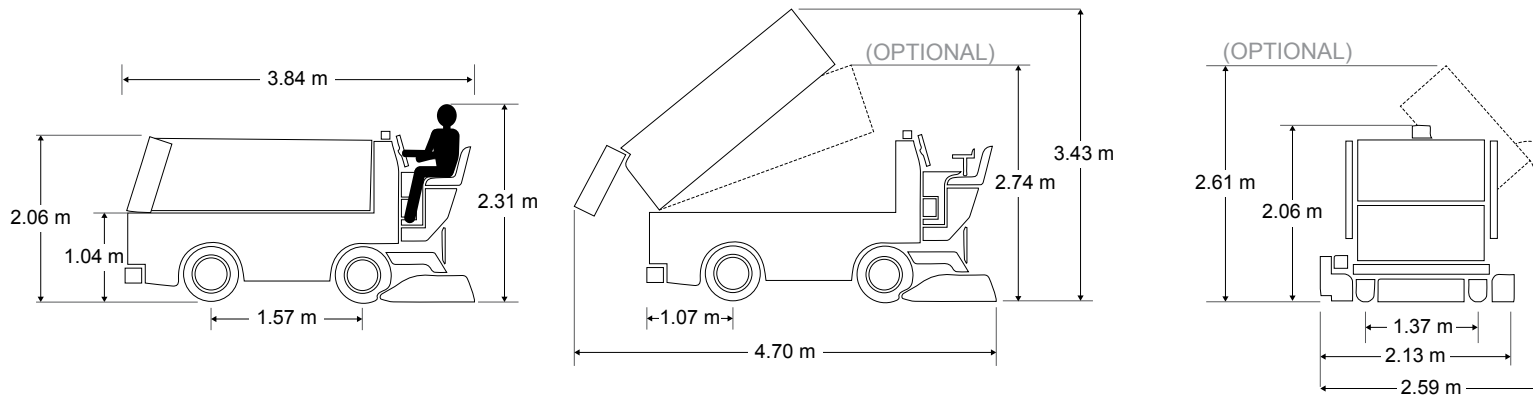


# MODEL 446



## CAPACITIES

### Snow Tank

Actual Volume	2.66 m <sup>3</sup>	94 cu. ft.
Compacted	3.17 m <sup>3</sup>	122 cu. ft.

### Water

Ice Making	627 L	166 gal.
Wash Water	218 L	58 gal.
Total	845 L	224 gal.

<b>Hydraulic Oil</b>	72 L	19 gal.
----------------------	------	---------

## POWERTRAIN

Four-Wheel Drive	
Engine	Mitsubishi® 2.4 L / 59 HP at 2500 RPM Four Cylinder Liquid Cooled
Transmission	Continuously variable hydrostatic pump and motor are axial-piston type.
Hydraulics	Powerful single pump for the vertical and horizontal augers. Hydraulic down pressure for optimal resurfacing results.

## Axles

Front	1950 kg	4300 lb
Rear	2177 kg	4800 lb

<b>Brakes</b>	Full Hydrodynamic Braking with Rear Drum Brakes
---------------	---

## DIMENSIONS

### Overall

	L	W	H	L	W	H
Snow Tank Down	3.84 m	2.13 m	2.06 m	151 in.	84 in.	81 in.
Snow Tank Up	4.70 m	2.13 m	3.43 m	185 in.	84 in.	135 in.

### Shaving Blade

	L	W	H	L	W	H
	195.6 cm	12.7 cm	1.27 cm	77 in.	5 in.	0.5 in.

### Clearance

Minimum Operator Height Clearance	2.31 m	91 in.
Snow Pit Clearance	104.1 cm	41 in.

### Conveyor System

Horizontal Auger Diameter	25.4 cm	10 in.
Vertical Auger Diameter	25.4 cm	10 in.

### Manueverability

Wheelbase	1.57 m	62 in.
Wheel Track	1.37 m	54 in.
Turning Radius at Conditioner	4.57 m	15 ft.

## Weight

Empty	2660 kg	5860 lb
with Water	3502 kg	7720 lb

# MODEL 446



### Automatic Snow Breaker

Eliminates the need for manual control of the snow breaker by the machine operator.

\*optional equipment



### Integrated Auger Washout System

Simplifies the vertical and horizontal auger washout task, from a single point on the conditioner.

\*optional equipment



### Ergonomic Seat

Designed with the operator in mind, our premium seat has optimal adjustability.

\*optional equipment

## STANDARD FEATURES

2 Year Warranty  
400 Micron Wash Water Deep Filter Bag  
Aluminum Alloy Wheels  
Catalytic Converter  
Chassis: Strong All Welded Steel Tubing  
Conditioner Safety Guards  
Digital Training and Reference Materials  
Engine: CAN Bus System  
Engine: EPA and CARB Certified  
Familiar Automobile-Style Foot Controls  
Four-Wheel Drive  
Fuel: Gasoline, Propane (CNG optional)  
Full Hydrodynamic Braking  
Guide Wheel  
LED Headlights and Tail Light  
(for Off Ice Travel)  
High Quality 10 and 25 Micron Filters  
High Speed Vertical Auger  
Hydraulic Oil Level Sight Gauge  
Load Sensing Engine Governor  
Multi-Function Display  
On-Dash Diagnostics  
Parking Brake  
Power Steering  
Premium Polyester Felt Spreader Towel  
Replaceable Poly Conditioner Side Plates  
Rugged Dana Spicer® Axles  
Snow Tank Safety Stand  
Spare Tire and Wheel  
Stainless Steel Hardware  
Steering Wheel Spinner Knob  
Touch-Up Paint Kit  
Tungsten Carbide Studded Tires  
Under Seat Storage  
Wide Spectrum of Premium Automotive Paint Colors

## OPTIONS

Automatic Snow Breaker  
Back Up Alarm  
[Blade Change System](#)  
Conditioner: Galvanized  
Electric Water Level Gauge  
Engine Diagnostic Computer Interface Tool  
Fire Extinguisher  
Heated Ergonomic Comfort Design Seat

- Armrest
- Seatbelt

Hydraulic Oil Cooler Kit  
IceCaps® Wheel Advertising System  
Integrated Auger Washout System  
[Level-Ice™](#)  
Low Fuel Light  
Rotating Beacon Light  
Side Snow Tank Dump  
Snow Melting Kit  
Snow Tank Dump Height Restriction  
Snow Tank Light  
Snow Tank Non-Stick Liner  
Stainless Steel Water Distribution Pipe  
Tire Wash System  
Wash Water  
Wash Water to Ice Making Water Transfer  
Water Level Sight Gauge  
[Zamboni Connect™ System](#)  
Zamboni Power Board Brush™ System