

# 650

## Capacities/Dimensions

### Snow Tank

Actual Volume	3.00 m <sup>3</sup>	106 cu. ft.
Compacted	3.74 m <sup>3</sup>	132 cu. ft.

### Water

Ice Making	757 L	200 USG
Wash Water	227 L	60 USG
Total	984 L	260 USG

### Hydraulic Oil

91 L	24 USG
------	--------

### Conveyor System

Horizontal Auger	25.4 cm	10 in. dia.
Vertical Auger	25.4 cm	10 in. dia.

### Overall Length

Snow Tank Down	4.04 m	159 in.
Snow Tank Up	4.88 m	192 in.

### Overall Height

Snow Tank Down	2.26 m	89 in.
Snow Tank Up	3.13 m	123 in.

### Overall Width

2.13 m	84 in.
--------	--------

### Wheelbase

1.96 m	77 in.
--------	--------

### Wheel Track

1.50 m	59 in.
--------	--------

### Turning Radius

At Conditioner	4.83 m	15 ft. 10 in.
----------------	--------	---------------

### Shaving Blade

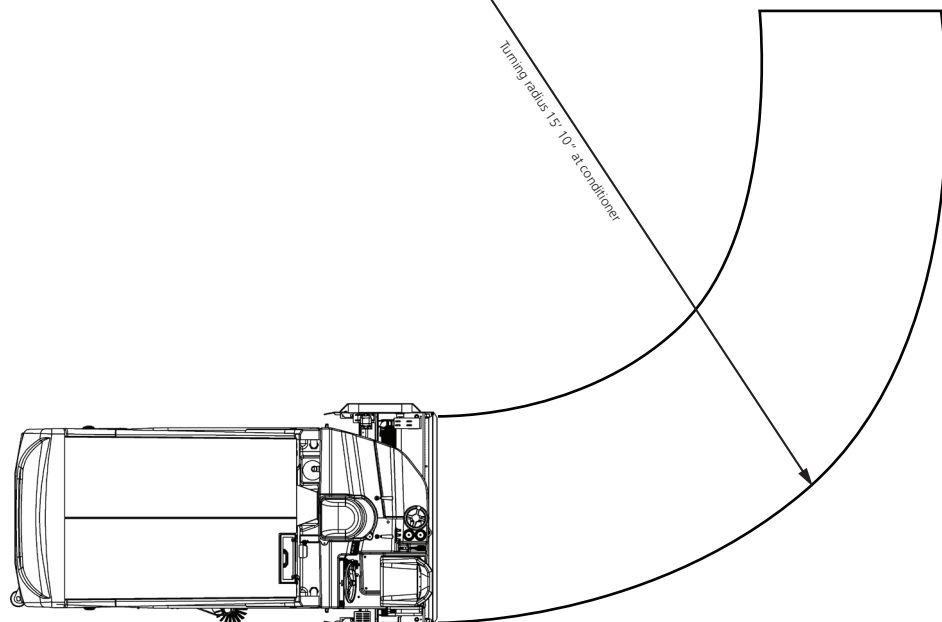
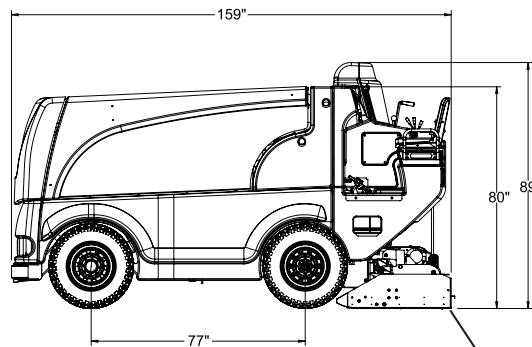
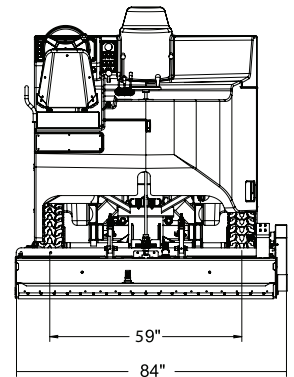
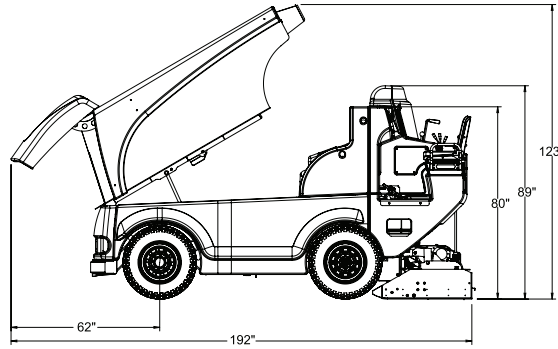
1.27 x 12.7 x 195.6 cm
1/2 in. x 5 in. x 77 in.

### Vehicle Weight

Empty	4853 kg	10700 lb.
w/Water	5670 kg	12500 lb.

### Electronic Specifications/Features

Dependable Sevcon® Gen4 controls have been proven in applications throughout the world. "On-board" diagnostics provide trouble shooting capability and vehicle management functions.



This brochure has been prepared only as a general guide for the customer. Every effort has been made to assure that the information is correct at the time of its printing. Some features described or shown may be optional at extra cost and prices, colors, materials, specifications and models are subject to change. Some options are required in combination with other options. ZAMBONI and the configuration of the Zamboni® ice resurfacing machine are registered trademarks of Frank J. Zamboni & Co., Inc. ©Zamboni 2015.

# ZAMBONI®

**Zamboni USA**  
15714 Colorado Ave.  
Paramount, CA 90723  
Phone 562.633.0751

**Zamboni Canada / Europe**  
38 Morton Ave. East, Box 1388  
Brantford, ON Canada N3T 5T6  
Phone 519.758.5000

[zamboni.com](http://zamboni.com)